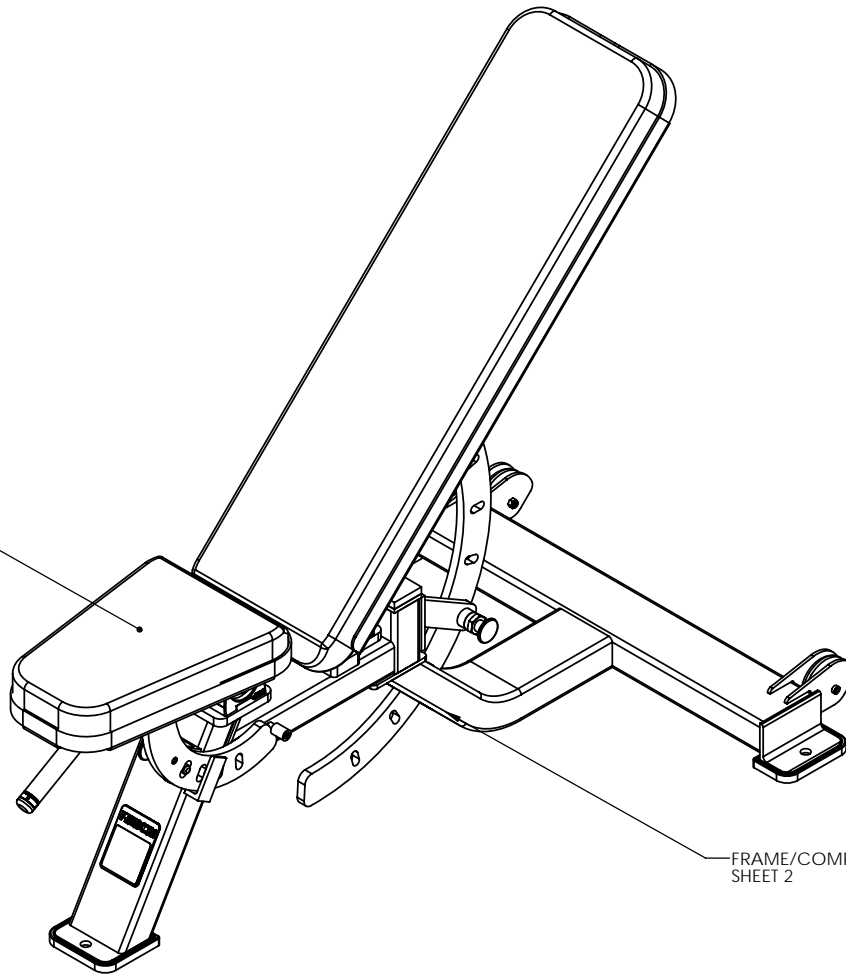
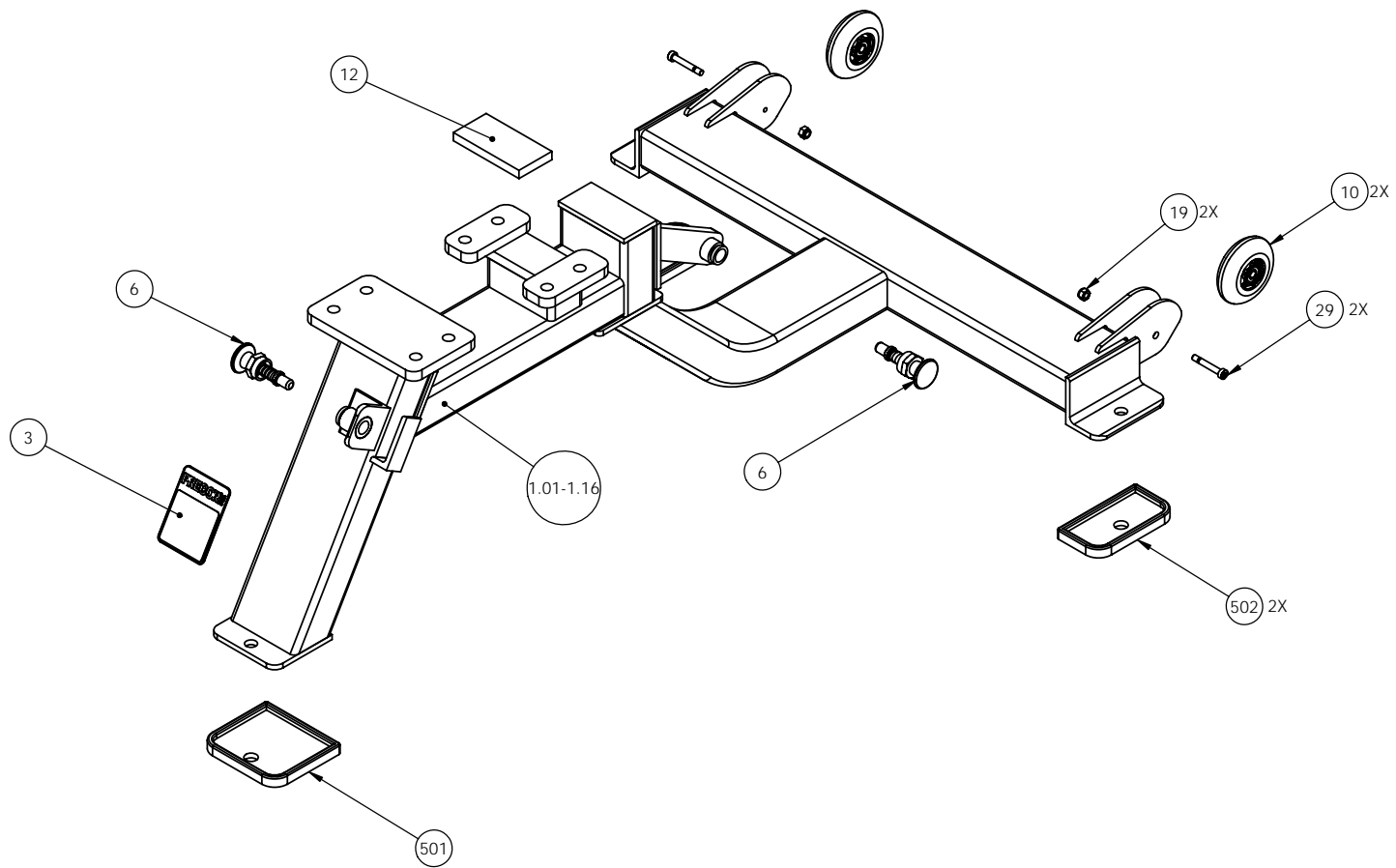


SEET FRAMES/PADS,  
SHEET 3

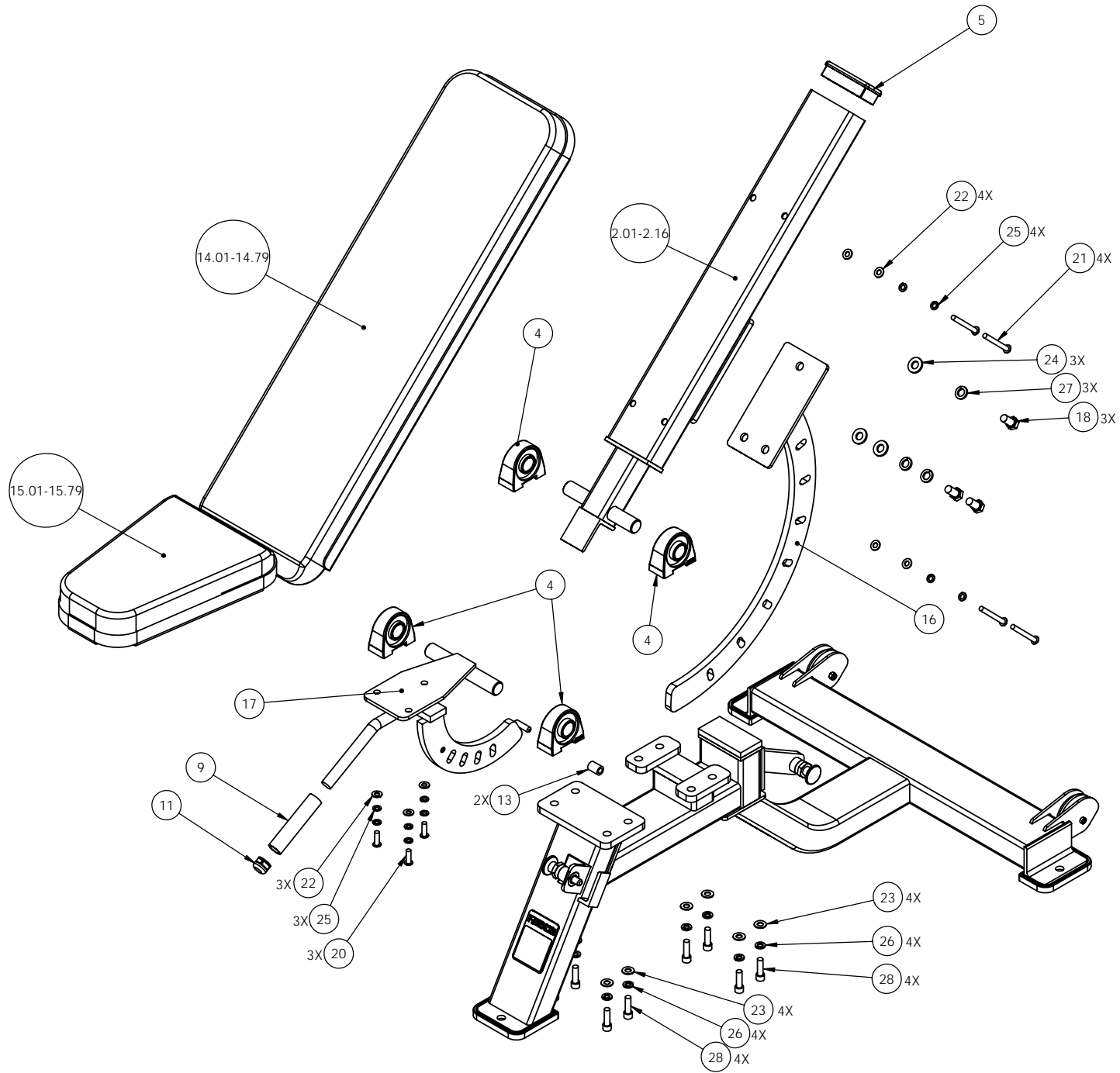


FRAME/COMPONENTS,  
SHEET 2

119	P/N : CW30927-101	SUBREV : B
DRAWN BY : CT	DATE : 10.01.05	SHEET 1 OF 3



119	P/N : CW30927-101	SUBREV : B
DRAWN BY : CT	DATE : 10.01.05	SHEET 2 OF 3



119	P/N : CW30927-101	SUBREV : B
DRAWN BY : CT	DATE : 10.01.05	SHEET 3 OF 3

## 119 Super Bench

Part Number	Description	Bubble Number
CW119SA1-211	ASSY,FRAME,MAIN,119,SKY WHITE	1.01
CW119SA1-311	ASSY,FRAME,MAIN,119,STONE HG	1.11
CW119SA1-321	ASSY,FRAME,MAIN,119,TITANIUM HG	1.12
CW119SA2-211	ASSY,FRAME,BACK,119,SKY WHITE	2.01
CW119SA2-311	ASSY,FRAME,BACK,119,STONE HG	2.11
CW119SA2-321	ASSY,FRAME,BACK,119,TITANIUM HG	2.12
CW31759-101	LABEL, SMALL PRECOR USA ICARIAN LIN	3
CW12406-101	PILLOW BLOCK, BEARING, 2 BOLT	4
CW11311-102	ENDCAP, REC TUBE, 2X4, BLK PLASTIC	5
CW30165-752	ASSY, POP PIN, 0.450 DIA NOSE, BLU	6
CW34822-101	LABEL, "ASSEMBLED IN THE USA"	7
CWAC1164-101	LABEL, F.P.I. SERIAL NUMBER	8
CWGR4804-500	GRIP, RUBBER, .75" OD HANDLE, 4.50"	9
CW12410-101	ASSY, WHEEL, 80MM OD, 82A, W/ BEARI	10
CWAC220-901	HANDLE END CAP W/SET SCREWS, DIA 3/	11
CW30014-105	CUT PIECE, CREPE, 3/8 THICK	12
CW10340-088	TUBE, VINYL, 5/8 OD X 3/8 ID X .875	13
CWPD1307B-101	PAD,10X36,4HLS,NTCHD END,W/BP,BLACK	14.01
CWPD1308B-101	PAD,6X10X14.5,3HLS,2SLOT,W/BP,BLACK	15.01
CWSA1100-721	ASSY, ADJUSTMENT, BACK, 119, WRKL	16
CWSA1101-721	ASSY, ADJUSTMENT, SEAT, 119, WRKL B	17
CWHCYN050-100	SCREW,HEX HEAD,BLK XYLAN,1/2-13 X 1	18
CWKDYN025-059	LOCKNUT, NYLON INSERT, FULL, UNC, 1	19
CWTAYN031-100	SCREW, BUTTON HEAD, BLK XYLAN, 5/16	20
CWTAYN031-300	SCREW, BUTTON HEAD, BLK XYLAN, 5/16	21
CWWBKN031-007	WASHER, FLAT, TYPE A, SAE, 5/16 ID	22
CWWBKN038-007	WASHER, FLAT, TYPE A, SAE, 3/8 ID	23
CWWBKN050-010	WASHER, FLAT, TYPE A, SAE, 1/2 ID X	24
CWWALYN031-008	WASHER, SPLIT, 5/16 ID, BL	25
CWWALYN038-009	WASHER, SPLIT, 3/8 ID, BLK XYLAN	26
CWWALYN050-013	WASHER, SPLIT, 1/2 ID, BLK XYLAN	27
CWCAYN038-125	SCREW, SOCKET HEAD, BLK X	28
CWRANN025-125	BOLT, SHOULD,1/4-20 X 5/16 X 1-1/4	29
CWAC1177-101	FLOOR PROTECTOR, RUBBER, 4.563 X 4.	501
CWAC1179-101	FLOOR PROTECTOR, RUBBER, 4.813 X 2.	502